



m10
Ready to evolve
your potential



Tomorrow starts today

Whatever you choose today, whenever your needs exceed the performance of your equipment, the M10 will instantly upgrade with specialist functions, advanced technologies and superior systems, ready to enhance your growing potential.

Furthermore, the M10 is available with a selection of new technologies to improve workflow and facilitate each daily task. These include voice control systems to manage the chair, a selection of ancillary features and even dictate simple observations in the patient records. NFC technology using wearable technologies connect you to your unit and allow for numerous parameter settings for multiple dentists.

A sensor built into the chair registers the presence of the patient, a feature which is exploited also for statistical data. Lastly, a new brushless micromotor incorporating fluorescent LEDs can be integrated to reveal composite materials and increase your potential for conservative dentistry.





CONSERVATIVE AND PROSTHETIC DENTISTRY



ENDODONTICS AND IMPLANTOLOGY

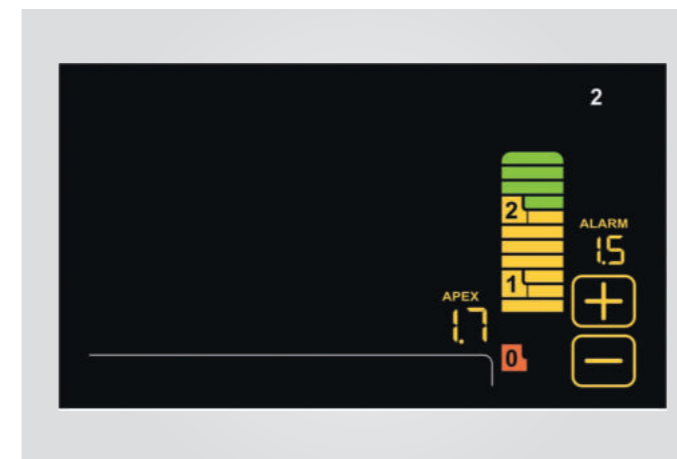


SPECIALISTIC AND MULTIMEDIA FUNCTIONS



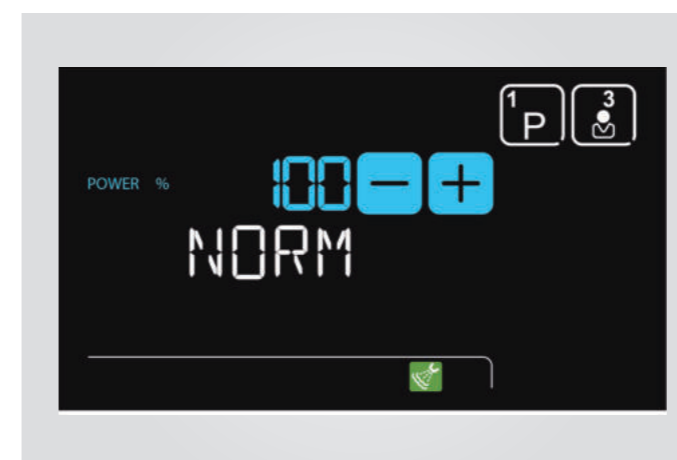
Progressive control

The standard configuration for the M10 features an LCD touchscreen display showing clear information on the functions used. Each individual instrument and all integrated devices are quick and easy to access. The perfect choice for conservative dentistry and endodontics, the control unit enables multi-profile settings for up to 4 users. This allows each dentist to customise cuspidor-cup functions, working positions and instrument settings.



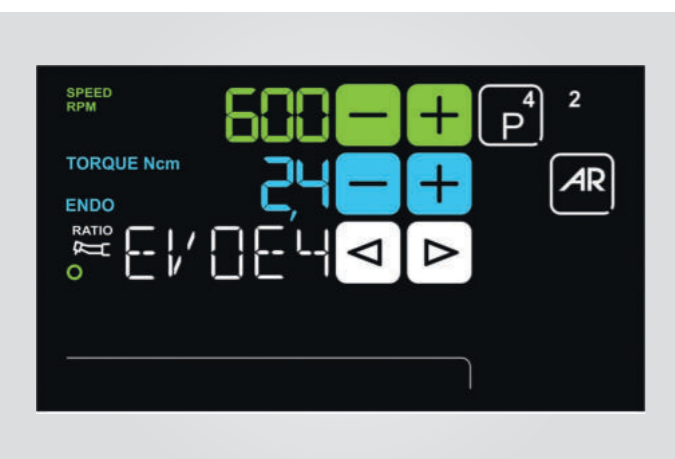
Apex Locator

The apex distance is displayed on the LCD display during the instrumentation phase. Nearing of the apex is monitored by the software and the dentist is warned by an audible/visual signal.



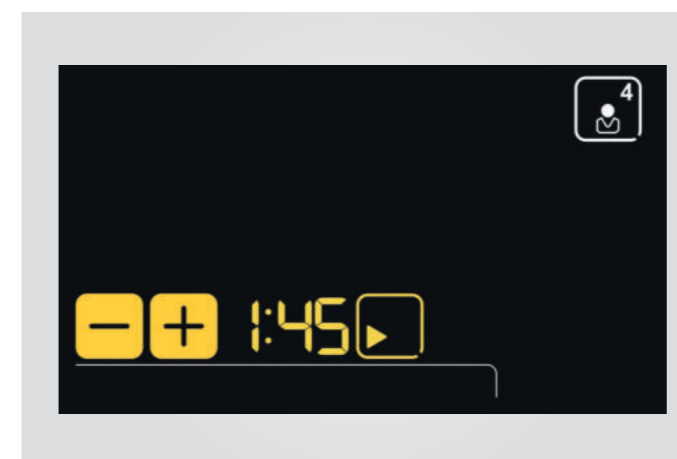
Scaler functions

Dentists use the intuitive control unit to adjust power settings for prophylaxis, but also for endodontic or periodontal treatment.



Endodontics

Integrated as an option, together with the i-MMs micromotor, the system for endodontics provides full functionality including Autostop, Autoreverse and Autoforward, as well as an electronic apex locator. During root canal treatment, the colour LCD control unit displays key data to give the dentist full control of the operation.

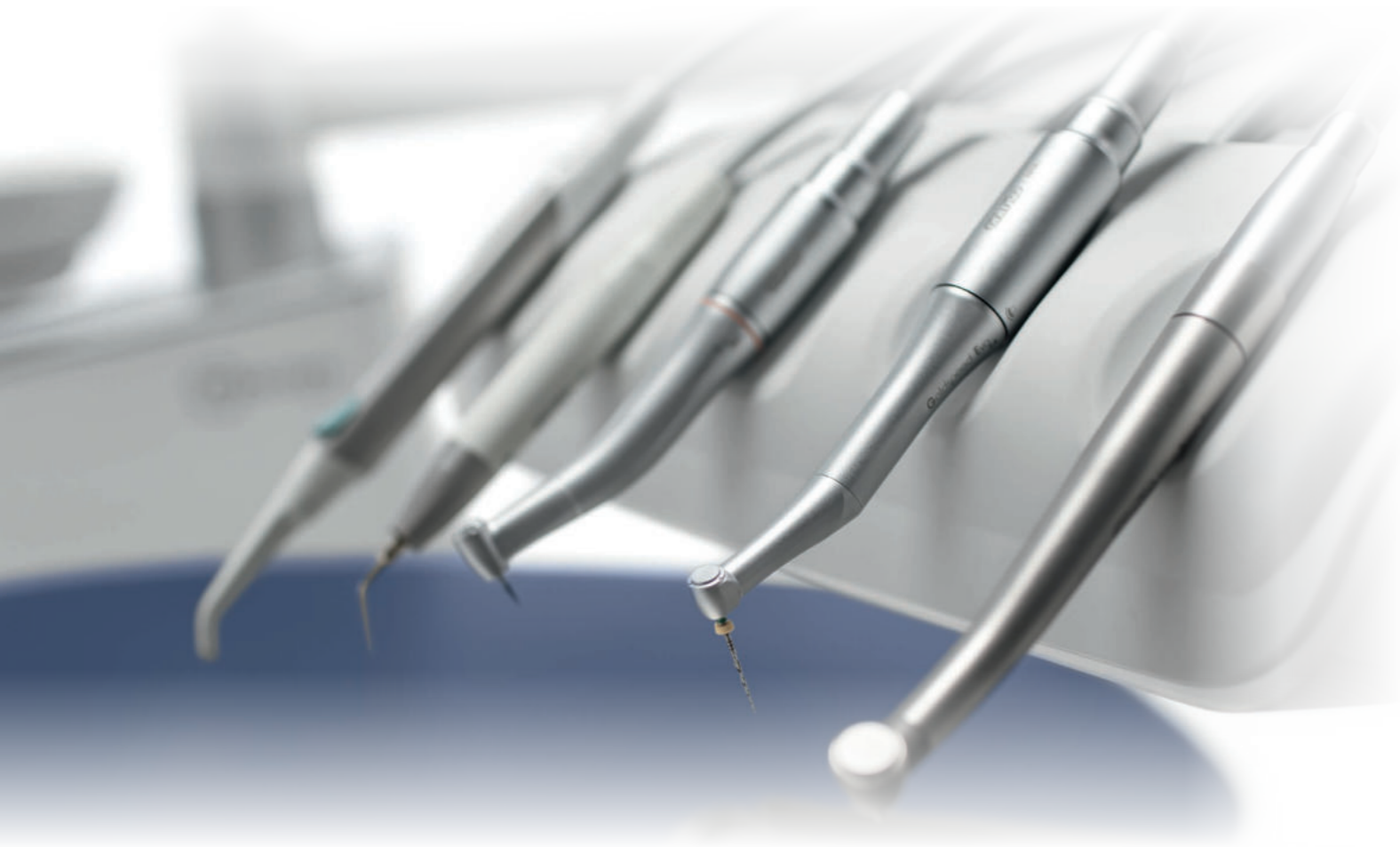


Timer

Whenever application times need to be monitored, such as during the use of etching gel or compounds, the inbuilt timer keeps everything under control.

Top-class instruments

Excellent workflow and effective treatment are a consequence of fully integrated instruments. And the M10 allows dentists intuitive control over a selection of high-tech micromotors, ultrasound scalars, turbines, contra angles and other handpieces.



Scalars

Compatible with all the best tips on the market, the piezoelectric scalars are available with fibre optics for LED illumination and suitable for prophylaxis, endodontics and periodontal procedures. Fully autoclavable.



Curing light

With an emission spectrum enabling activation of the very latest generation of composites, the curing light has an intuitive interface and an ergonomically advanced swivel grip for easy access to both dental arches. The light features 7 curing programmes, including the new bracket programme which consists of 5 brief rapid-succession emissions.



Brushless micromotor

Available with or without LED lighting, i-MMr or i-MMrL are lightweight, silent and vibration-free. Requiring virtually no maintenance, they are ideal for conservative and prosthodontic treatments. Max. speed can be pre-set, torque reaches 3.3 Ncm, speeds range from 100 to 40,000 rpm at a 1:1 ratio.

Available as an option, the micromotor can be supplied with fluorescent LED technology that highlights composite materials.



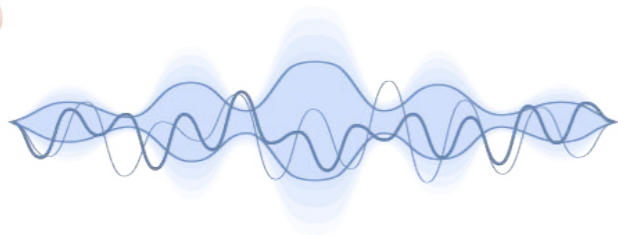
MM with fluorescent LED technology

Using LED-powered fluorescence-aided identification technique, the i-MMs FLUO and iMMrL FLUO brushless micromotors are able to identify the presence of composite materials in teeth. Old composite that needs to be retreated is revealed enabling the dentist to reduce surgery time and operate with greater precision and safety.

The next evolution

An immediate choice or a subsequent upgrade can be made in the form of the optional Full Touch control unit, which rotates from vertical to landscape layout on the Continental model. This gem of modern technology with a 7" touchscreen display and powerful microprocessor is available in two versions. Clear, intuitive graphics on both versions speed up treatment times and facilitate precise settings and fingertip control. As simple to use as a modern smartphone, the control unit represents the centre-point of the treatment centre, offering an up-to-the-minute user experience.

A further optional feature is the voice control system, which minimises physical contact with ancillary systems and facilitates tasks if an assistant is not present.



Clinic

Handles patient chair movements, displays data for conservative work, endodontics and implantology, and manages hygiene devices and other accessory services. Dentists can customise every single setting and storage of multiple profiles is possible up to 4 different operators.



Multimedia

Also features an HD display a USB port and is compatible with multimedia content, which can be stored locally or on a USB stick, also handy for external consultants to save/upload personal settings. The Multimedia version also allows for the management of the operating parameters of any specialist dentistry application.



NFC

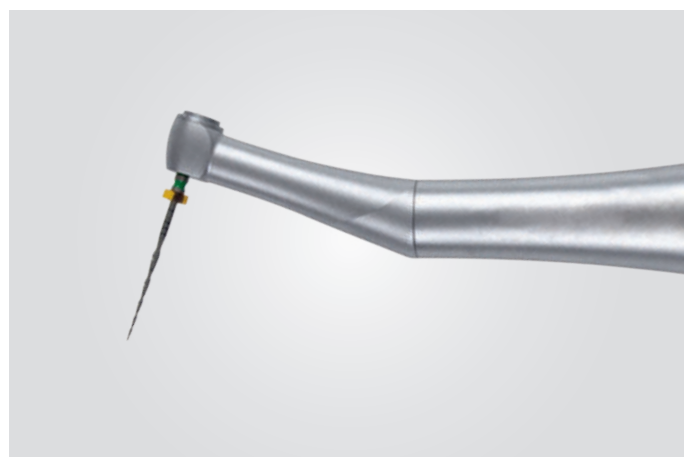
Thanks to NFC technology and a smart wristband, dentists can access the M10 to personalise key settings. In proximity of the NFC symbol on the instrument module, the wristband connects and activates the unit's previously stored preferences. 20 slots are available for multiple operators. Settings include patient chair positions, touch display, operating light and cuspidor settings, as well as operating parameters for the integrated instruments.

The latest generation

In conjunction with the optional 7" Full Touch control unit, the M10 supports latest-generation technologies and instruments enabling root canal treatments and implantology. Seamless integration between all instruments, applications and comprehensive databases gives rise to an integrated system piloted by the unit's powerful microprocessor. Dentists can switch from conservative mode to ENDO or IMPLANT mode at any time. Full Touch ensures user-friendly controls, personalised settings and displays key treatment-specific data. Both the Clinic and Multimedia versions adopt a dedicated interface for the specialist treatment in progress.



The endodontic file identification trademarks are not owned by Cefla or any of its associated companies.



EVO E4 contra angle

Conceived for endodontics, the EVO E4 contra angle with a 4:1 ratio features a miniaturised head for easy access to all treatment areas. Recommended for endodontic treatment in reciprocating mode and using the integrated apex locator, it can be autoclaved and heat-disinfected.



i-MMs micromotor

Easily autoclaved, i-MMs (optional) suitable for endodontics and for implant surgery. Torque control up to 70 Ncm when combined with the appropriate 20:1 ratio contra angle, and speeds ranging from 100 to 40,000 rpm make it the perfect answer when ultimate performance and control are required.

Implantology

An integrated set of systems for implantologists avoids the need for space-consuming stand-alone devices. Managed via the control unit, dentists can set and save clinical parameters for each treatment stage, from site preparation to implant placement.

Endodontics

Giving access to a pre-loaded library, the Full Touch control unit manages treatment with rotary instruments and with reciprocating instruments, in the optional mode. With the dedicated contra angle, the apex locator displays distance to the apex on the display. A buzzer warns of apex approach and micromotor rotation is automatically disabled when the apex is reached.

Peristaltic pump

The peristaltic pump is managed via the Full Touch control unit and does away with the need for additional modules or carts around the patient chair.

Torque curves

Dentists can record the torque curves during treatment. Following treatment documentation is produced in an exportable format to keep a record of the delivered torque and implant tightening torque.

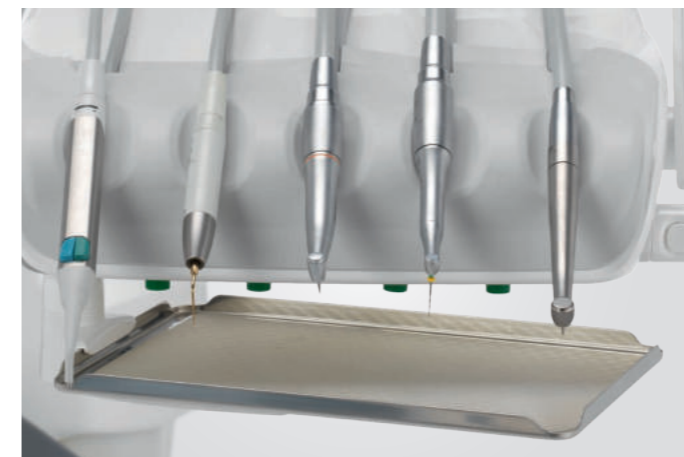
Superb flexibility

The M10 Continental model with over-the-patient delivery represents the most versatile ergonomic configuration combined with a compact design. The instrument module is lightweight and incorporates an optional handle-mounted sensor for easy, precise vertical positioning. Excellent mobility of the arm system facilitates workflow and improves operating comfort for the dental surgeon.



SideFlex

Special optional SideFlex joints that allow instrument levers to move laterally without causing wrist fatigue optimise mobility. Levers are removable for cleaning purposes.



Compact tray

The tray holder housed under the module is made of stainless steel. Simple to reposition, it is easily rotated and accessed by both dentist and assistant.



Instrument excursion

Ample instrument tubing excursion makes it easy and effortless to reach all operating positions around the patient. Instruments are self-balancing for additional comfort.

Smooth mobility

The M10 International model with hanging tubes on the instrument module is supported by an arm system capable of reaching all working positions around the operating area. The module is compact and easy to manoeuvre, and the instruments are simple to extract thanks to the module's ergonomic design and the different inclination of each handpiece.



Ceramic cuspidor unit

Equipped with an optical sensor for cup-filling, the cuspidor bowl rotates conveniently for smoother workflow and additional patient comfort.



Assistant's module

The module is available with 4 or 5 housings, either with single or articulated arm. In addition to syringe and suction cannulae, a camera and a curing light or a dynamic instrument can be installed. An optional adjustable tray holder is available.

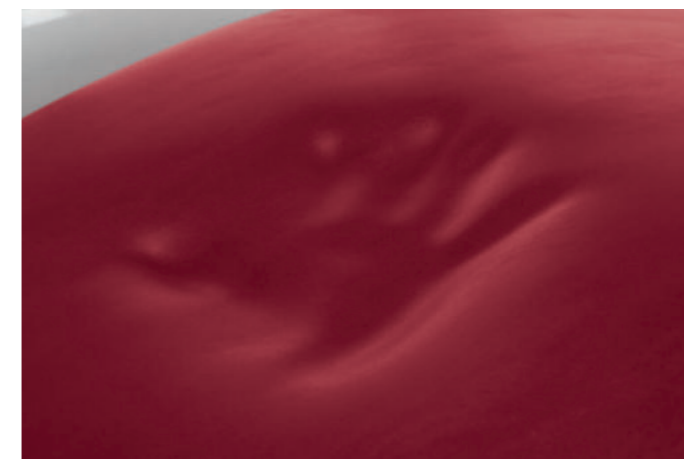


Adjustable height

The assistant's module can be fitted to an articulated arm, available as an option, allowing for convenient height adjustment.

Design and comfort

The M10 provides ways of customising the unit body and patient chair with a wide selection of colours for upholstery and 3 choices for the unit body colouring. Comfort comes into play with the optional padding, also available in the full colour range.



Memory Foam

Optional padding offers correct anatomic support for patients of all builds, an aspect that gains in importance during longer treatment sessions when comfort is crucial.

Unit body design

Compact and cleanly designed, the unit body can be supplied in white, blue or silver grey optional colours to add a personal touch of design to the operatory. Seamless upholstery available in 14 different colours is available with standard or special padding.



Standard

- 102 Atlantic blue
- 106 Mediterranean blue
- 113 Pacific blue
- 136 Indian blue
- 132 Blueberry violet
- 134 Japanese wisteria
- 135 Venetian red
- 115 Scottish salmon
- 103 Nevada yellow
- 123 Polynesian green

- 101 Caribbean green
- 137 Bright silver
- 121 Anthracite grey
- 130 Graphite black
- 142 Anatolian hazelnut
- 141 Papyrus beige
- 143 Arabian gold
- 140 Brazilian brown
- 144 Ruby red

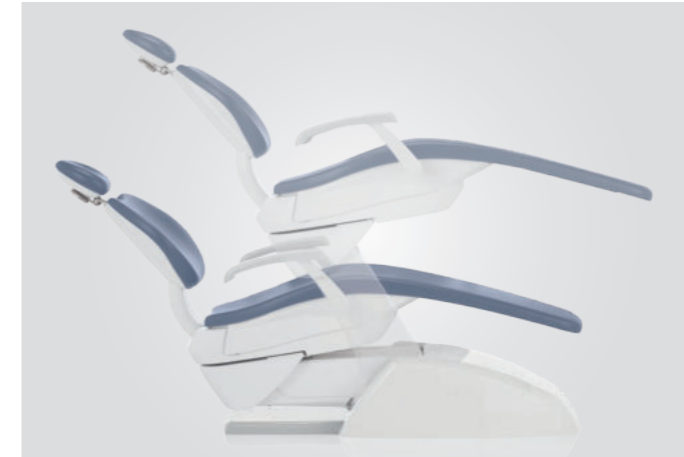
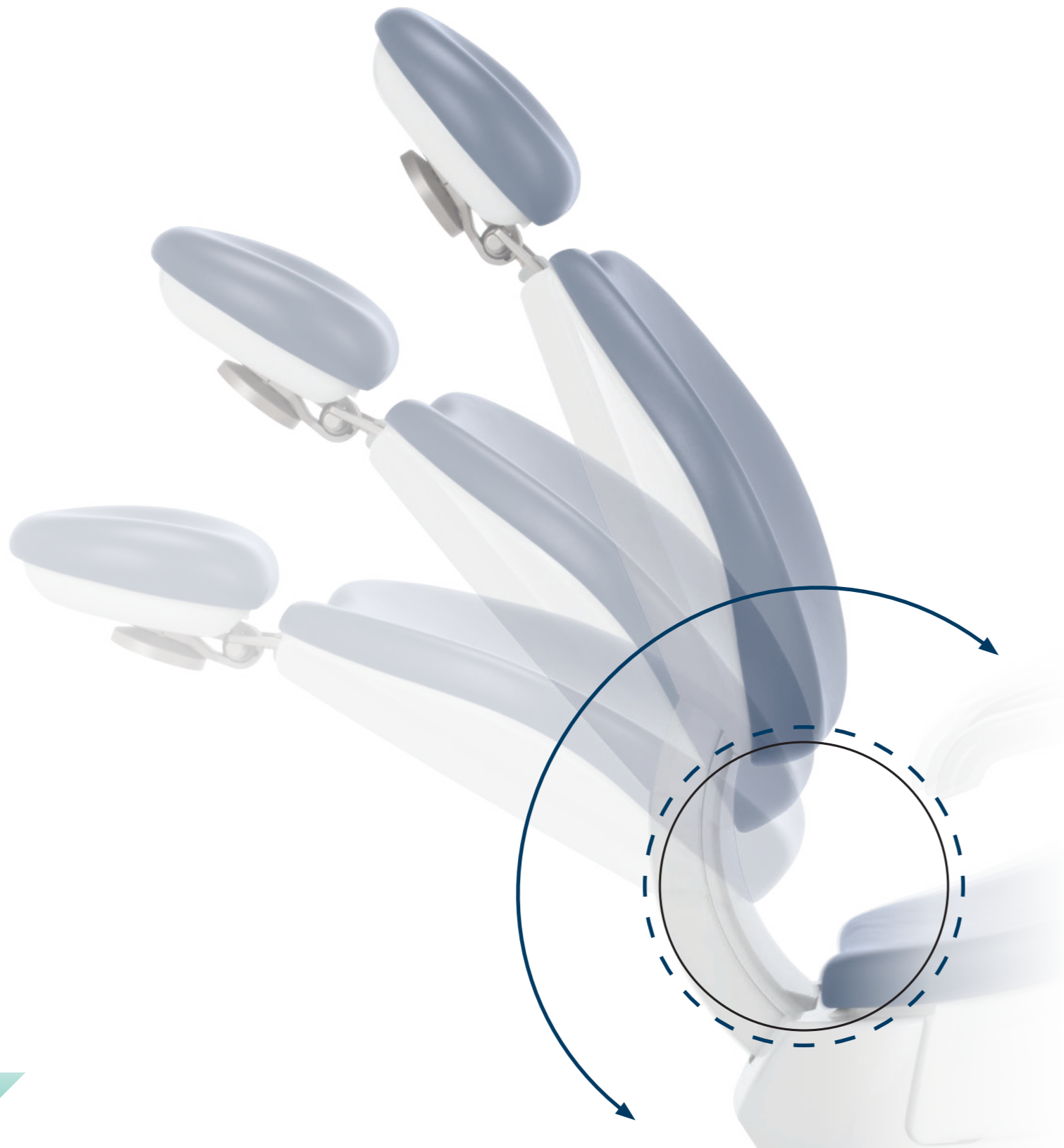
Memory Foam

- 198 Atlantic blue
- 196 Mediterranean blue
- 183 Pacific blue
- 186 Indian blue
- 192 Blueberry violet
- 184 Japanese wisteria
- 194 Venetian red
- 195 Scottish salmon
- 182 Nevada yellow
- 193 Polynesian green

- 197 Caribbean green
- 187 Bright silver
- 199 Anthracite grey
- 180 Graphite black
- 172 Anatolian hazelnut
- 171 Papyrus beige
- 173 Arabian gold
- 170 Brazilian brown
- 174 Ruby red

Ultimate comfort

The question of wellbeing is key to every treatment session and every patient, but also concerns the staff operating around the patient chair. And the central point is the patient chair and how it is designed. The M10 makes comfort a priority with shaping allowing easy access to the operating area and an ergonomic joint synchronising the movement between backrest and seat to avoid lumbar compression and the need to repeatedly realign the patient.



Lift capacity

The patient chair is certified to lift patients weighing up to 190 kg and has an extensive range of vertical excursion, from 37 to 80 cm.



Foot controls

Three different ergonomic designs are available, both in wired and wireless versions. These allow activation of Chip Air/Water, patient chair movement and recall of saved positions. In surgical mode, all the pedals can activate the peristaltic pump, turn on/off the lamp and change the programme. Power Pedal manages an extra two saved positions.



Headrest

In addition to an adjustable 2-axis version with a mechanical lock, the optional model features a pneumatic lock system and 3-axis movement for free, precise positioning. Simple to activate by pressing a small button, the dentist can adjust the headrest with no effort at all.

The latest in lighting

Dentists can choose between two different LED lamps. The standard light on the unit is the Venus Plus SCT, available in two versions, while the range of available operating lamps is completed by the MCT model, which is also available in two versions.

Venus LED MCT View combines a 4K camera with PC software to capture ultra-high-definition images and videos. The Full Touch control panel and multimedia system let users operate the various functions (recording, zoom, image capture and Smart Focus) via user-friendly icons or optional voice-activated controls. The Smart Focus system features liquid lenses, ensuring fast, optimal digital focusing. In addition to smoothing practitioner-patient communication, the camera is also, thanks to recordings and multimedia streaming, a useful aid for clinical training, treatment documentation and academic disclosure. Venus LED MCT View with integrated 4K camera is a powerful tool for sharing clinical information with patients to aid their understanding of treatment.



Venus Plus SCT

Supplied as standard, Venus Plus SCT is a LED operating light equipped with four light sources. Its high colour rendering index (>90) delivers realistic, natural colour perception. Brightness can be adjusted from 3,000 to 50,000 Lux and, thanks to the large spot-lit area, optimises illumination of the oral cavity without generating annoying shadows. Removable handles for sterilisation; also equipped with an infrared sensor for switching on/off/adjusting intensity.



Venus Plus SCT Composite

On the Venus Plus SCT Composite version there are - in addition to the four light sources - two central sources that generate a beam with specific wavelengths: these prevent pre-polymerisation of composites while ensuring excellent illumination of the oral cavity.



Venus LED MCT (Multi Colour Temperature)

Latest-generation operating lamp with 3 different colour temperatures: 4300K (warm light) for surgical treatment, 5000K (neutral light) for conservative dentistry and 5500K (cool light) for realistic colour capture. Composite Mode function adapts light wavelength to prevent pre-polymerisation, while ensuring optimal lighting.

Active protection

All controlled directly by the microprocessor inside the control unit, the active hygiene devices address all major issues concerning contamination within the operatory. Parameters can be personalised and dentists can choose to activate systems manually or use pre-set times and settings. Certified systems are the best way of demonstrating one's commitment to the health of a patient and protect staff operating all day long.



W.H.E.

Certified DVGW continuous disinfection system that prevents backflow contamination of the dental unit water supply and acts against all water-borne contaminants including Legionella. Use of Peroxy Ag+ recommended. Used on a daily basis in conjunction with one intensive disinfection cycle per day using BIOSTER, bacterial loads are kept at zero.



BIOSTER

BIOSTER is the automatic system that disinfects instrument spray internal circuits with an antiseptic liquid (Peroxy Ag+). Certified by the Sapienza University of Rome, this device will eradicate microbes and is advisable for end-of-day disinfection or as short cycle between patients.



FLUSHING

This system, also included in the BIOSTER system, gives the spray ducts a fast rinse to eliminate any stagnant liquid from tubing. Ideal at the start of each day and after each patient.



A.C.V.S.

Automatic system for the flushing and cleansing of the suction system. Allows sanitisation to be performed between one patient and the next.



S.H.S.

Device that feeds water to the sprays as an independent alternative to mains water. Works by way of a tank filled with distilled water: this prevents limescale build-up. Extremely useful where mains water is hard or potentially unsafe.



O.D.R.

As-standard mechanism that automatically emits an air jet to clean any residual liquids or solids from the handpiece after use.

Conceptual security

When designing the M10, all possible risks of contamination due to exposed areas and removable components were considered. Based on the results of this research, a series of precautions were taken to provide a dental unit with design elements conceived to protect patients and medical staff, thereby ensuring a safe and risk-free working environment.



Cuspidor bowl unit

Fully removable for fast, effective sanitisation, the cuspidor bowl unit consists of parts that are easy to clean and disinfect (ceramic as standard or, as an optional, glass).



Removable instrument levers

Instrument levers featuring the optional SideFlex joint can be removed for better cleaning.



Cannulae guides

Easy-to-remove elements ensure perfect cleanliness in what is a potentially critical area.



Quick couplings

Release system for cleaning and/or replacement.



Double filters

These easily removable filters make emptying and cleaning tasks simple.



Handle

The Continental module handle can be removed for disinfection purposes.



Operating light

Handles are removable and autoclavable.



Upholstery

Easy-to-sanitise, durable seamless padding.

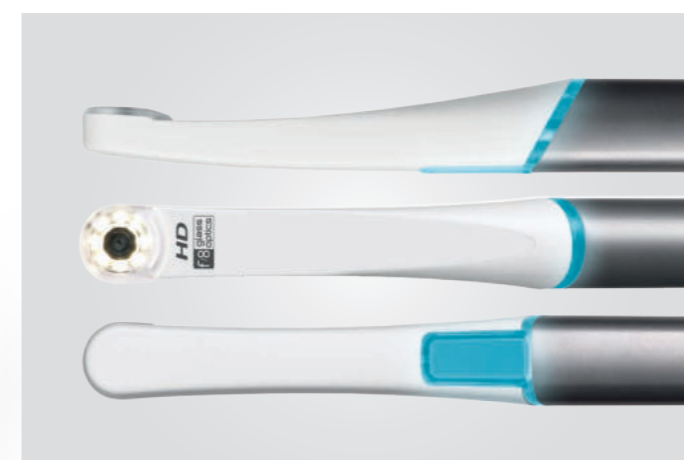
Chairside communication

Immediate visual communication is one aspect of modern dentistry which cannot be overlooked. The M10 enables chairside communication to share information with the patient, gain consent for treatment and illustrate the results. Another advantage is being able to speed up the initial diagnostic steps, getting visual data in high resolution. An integrated system with an HD camera, LED monitor, plus the opportunity of viewing data directly on the optional Full Touch control unit display is highly efficient.



Images and video

When installed, the Multimedia version of the Full Touch control unit enables viewing of video footage and camera images, as well as short video sequences regarding the use and maintenance of the dental unit.



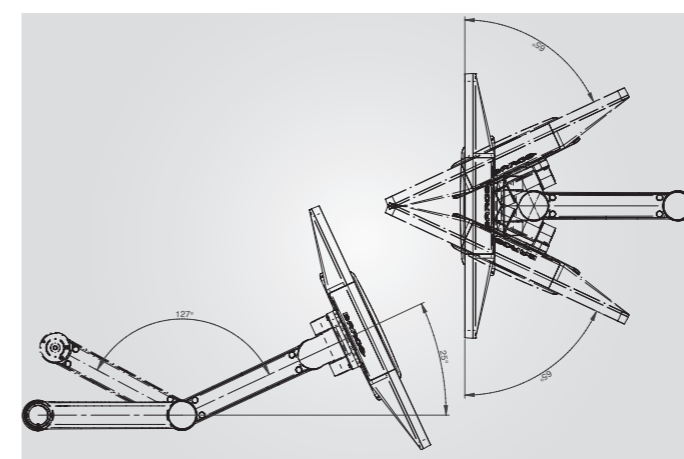
C-U2 camera

The integrated HD camera with an optical system comprising 7 glass lenses features a streamlined design and a 16:9 format HD sensor providing high-resolution images on the 16:9 LED monitor or, when present, the 7" Full Touch display. Manual focusing is not required thanks to the 5 – 70 mm depth of field. The 90° viewing angle is partially retroflected and freeze-frames can be obtained via the foot control or the touch-sensitive key on the handpiece.



22" LED monitor

The 16:9 monitor is a certified medical device and provides a wide viewing angle thanks to the special IPS panel. The monitor can be fitted to the M10 either with a single arm or a double-jointed arm for a more comfortable use.



Perfect, immediate practicality

Much more than just a screen fitted to the dental unit, the monitor lets you see, diagnose and communicate. Smooth touch-screen functionality lets the dentist interact with the displayed data while a double articulation support arm (the recommended version with the touch-screen option) allows the monitor to be manoeuvred closer to or further away for optimal work zone positioning. It can also be tilted to show images to the patient or removed from the operating area to provide maximum freedom of movement during actual surgery.

Onboard radiology

The M10 can be equipped with a fully integrated radiology system with high-tech devices, which include a built-in X-ray sensor and a wireless-controlled high-frequency X-ray unit fitted to the unit. Integration reduces the time required to obtain diagnostic images and makes workflow far more efficient. Especially thanks to the easy-to-use handheld wireless control device, which sets exposure parameters automatically.



VOICE CONTROL



RXDC with eXTend technology

Thanks to an extensive internal collimation and an extremely small focal spot, the X-ray unit provides high-quality images combined with a minimal radiation dose delivered to the patient to quickly make a correct, accurate and safe diagnosis.



Zen-X

The integrated X-ray sensor, available in two sizes, is fitted directly onto the dentist's module. In a matter of seconds, the reprocessed image is displayed on the 22" LED monitor if present. Captured X-rays can also be viewed on a connected PC or on the optional Full Touch display (Multimedia version).



Multimedia display

X-rays acquired via the integrated system can be displayed in HD on the optional 7" Full Touch display.

Virtual assistance

The M10 incorporates Internet connectivity in order to provide dental surgeries with remote assistance and key technology updates. Without the need to download software, the dentist has online access to the user manual and a selection of video tutorials to make the most of their equipment.



Di.V.A.
Digital
Virtual
Assistant

The cloud-based platform can be used to record performed disinfection cycles. Via a simple dashboard, Di.V.A. also helps dentists monitor unit usage, instrument usage and analyse surgery efficiency. In larger facilities, Di.V.A. manages staff workloads and plans equipment maintenance. Useful information is also provided by the sensor integrated into the patient chair. All data are conserved online and fully protected according to "Data Protection Certified" standards.



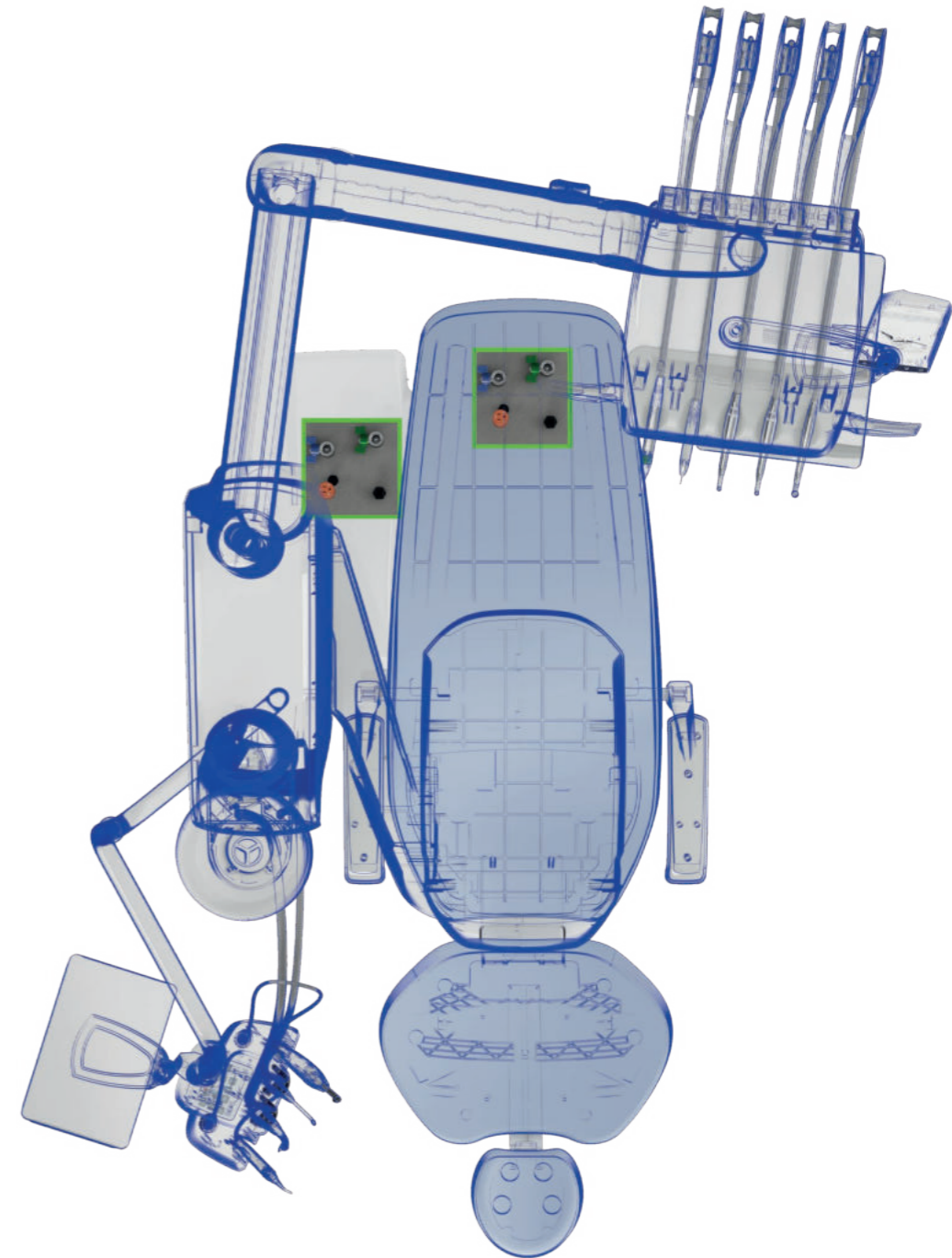
easycheck

With the aim of improving the effectiveness of the clinic, each M10 unit connected via EasyCheck benefits from a real-time diagnostic service and remote technical support.

Easy installation

A flexible solution for the surgery, dentists will not encounter many obstacles when installing the M10 unit. Greater freedom of choice enables the use of existing connections, so the unit can be positioned in relation to the floor outlets if the M10 is replacing previous equipment.

Connection is possible using the connection located directly under the leg rest or the one under the front part of the unit body.



Technical characteristics

M10	CONTINENTAL	INTERNATIONAL
PATIENT CHAIR		
Left armrest	•	•
Right armrest	○	○
Double-jointed headrest with 2-axis movement	•	•
Pneumatic headrest with 3-axis movement	○	○
Multifunction foot control	•	•
Pressure-operated foot control – Wired or Wireless	○	○
Power pedal foot control – Wired or Wireless	○	○
Wireless Multifunction foot control	○	○
DENTIST'S MODULE		
LCD Touch display control unit	•	•
Full Touch CLINIC 7" control unit	○	○
Full Touch MULTIMEDIA 7" control unit	○	○
LEFT SIDE PACK		
Voice Control system	○	○
NFC Multioperator system	○	-
Pneumatic brake	○	○
Instrument SideFlex kit	•	•
Warm water spray	○	○
3-way Syringe	•	•
6-way Syringe	○	○
Midwest module with f.o.	•	•
Scaler (with and without f.o.)	○	○
T-LED curing Light	○	○
Micromotor i-MMr (100-40000 rpm/3.3 Ncm)	•	•
Micromotor i-MMs f.o. (100-40000 rpm/5.3 Ncm) ENDO & IMPLANT function*	○	○
Reciprocating Mode module	○	○
Micromotor i-MMrL FLUO with FIT technology	○	○
Micromotor i-MMs FLUO with FIT technology	○	○
Electronic Apex Locator module	○	○
Peristaltic Pump module	○	○
Torque Curves Implantology function	○	○
Sixth Instrument kit (curing light or camera)	○	○
Zen-X sensor application	○	○
ASSISTANT'S MODULE		
Assistant's Module with 4 housings	•	•
Assistant's Module with 5 housings	○	○
Assistant's Module tray holder	○	○
UNIT BODY		
Ceramic bowl manual movement	•	•
Glass bowl manual movement	○	○
Electro-mechanical movement of the bowl	○	○
Cup-fill sensor	○	○
Cup-fill warm water	○	○
Independent selection of the cannulae	○	○
HYGIENE SYSTEMS		
S.H.S. independent water supply	•	•
Flushing	•	•
BIOSTER	○	○
W.H.E.	○	○
Cannulae Flush	○	○

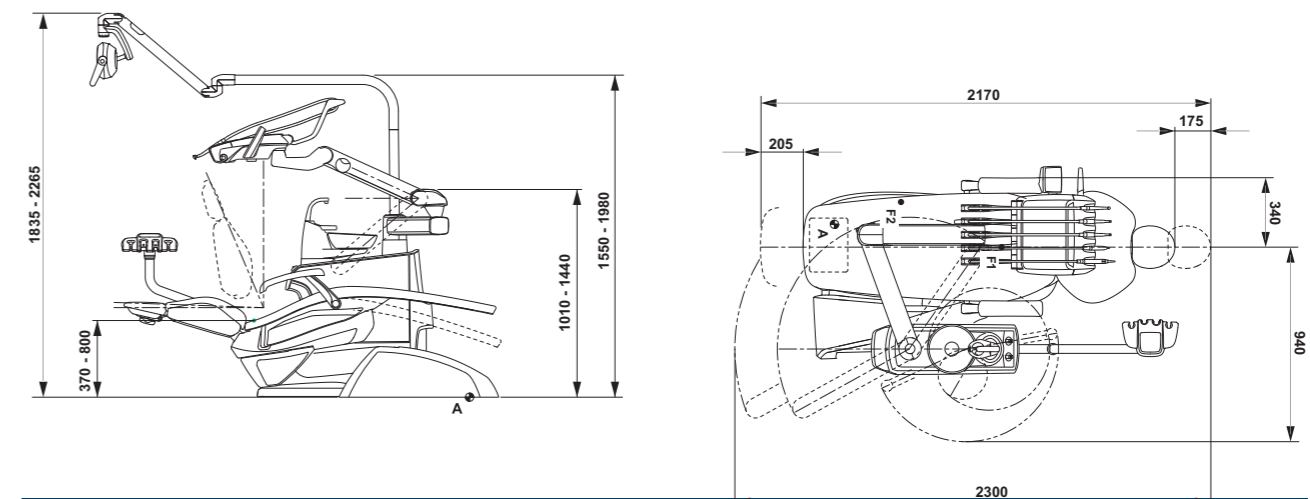
OPERATING LIGHT		
Venus Plus SCT	•	•
Venus Plus SCT Composite	○	○
Venus Plus MCT	○	○
Venus Plus MCT View	○	○
PATIENT COMMUNICATION		
Cables for HD multimedia	○	○
Monitor support arm	○	○
Medical monitor	○	○
C-U2 HD camera	○	○

* IMPLANT function only with Full Touch CLINIC/MULTIMEDIA 7" control unit and peristaltic pump module

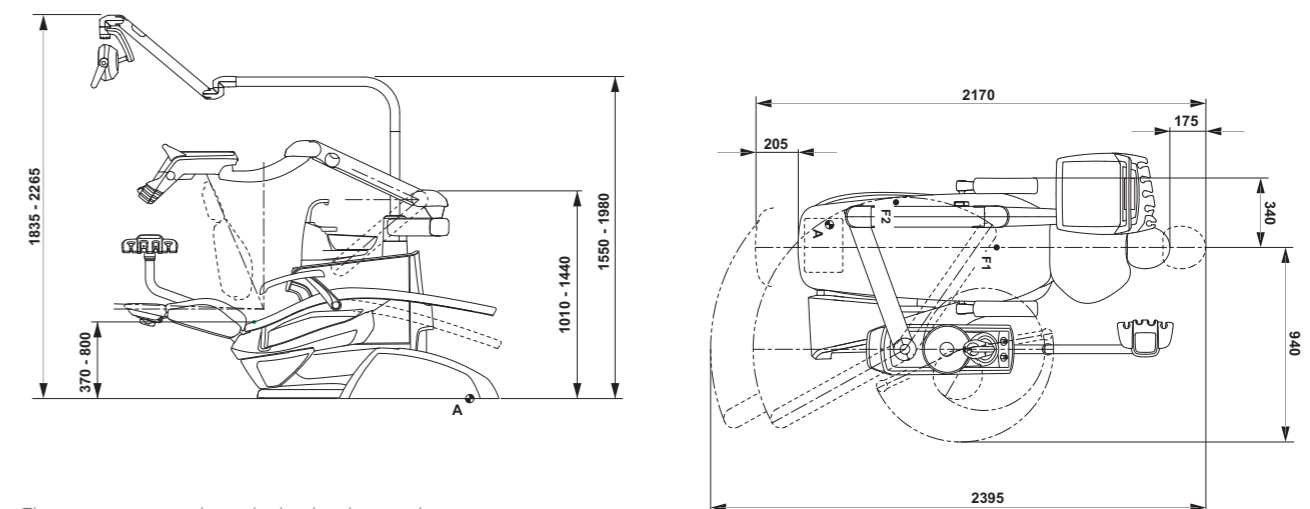
• as standard ○ optional - unavailable



CONTINENTAL



INTERNATIONAL



The measurements shown in the drawings are in mm.



07/2025
MM10GB251S00

Due to our policy of constant technological upgrading, technical specifications may be subject to change without prior notice. According to the standards in force, in extra-EU areas the availability and specifications of some products and/or characteristics may vary. Please contact your local distributor for further information.



**BU Medical Equipment
Sede Legale ed
Amministrativa
Headquarters**

CEFLA s.c.
Via Selice Provinciale, 23/a
40026 Imola (BO) - Italy
Tel. +39 0542 653111
Fax +39 0542 653344

Stabilimento / Plant

Via Bicocca, 14/C
40026 Imola (BO) - Italy
Tel. +39 0542 653441
Fax +39 0542 653601
www.mocom.it

